

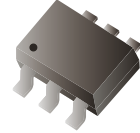
## CDSV6-99SD-HF

Reverse Voltage: 75 V

Forward Current: 150 mA

RoHS Device

Halogen Free



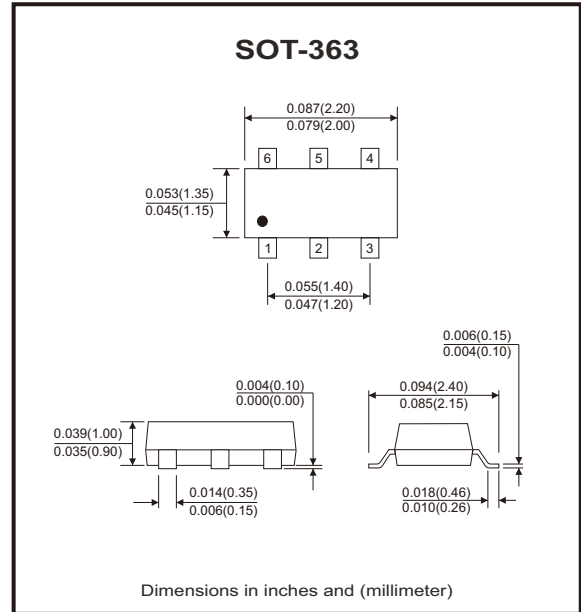
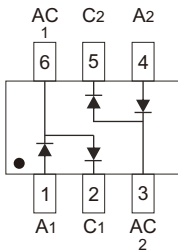
### Features

- Fast switching speed.
- Ultra-small surface mount package.
- For general purpose switching applications.
- High conductance.

### Mechanical data

- Case: SOT-363, molded plastic.
- Mounting position: Any.

### Circuit Diagram



### Maximum Ratings (at Ta=25°C unless otherwise noted)

Parameter	Symbol	Limits	Unit
Peak repetitive peak reverse voltage	$V_{RRM}$	75	V
Working peak reverse voltage	$V_{RWM}$		
DC blocking voltage	$V_R$		
Forward continuous current	$I_{FM}$	300	mA
Average rectified output current	$I_O$	150	mA
Non-repetitive peak forward surge current @ t=8.3ms	$I_{FSM}$	2	A
Power dissipation	$P_D$	200	mW
Thermal resistance junction to ambient	$R_{\theta JA}$	625	°C/W
Operation junction and storage temperature range	$T_J, T_{STG}$	-55 ~ +150	°C

## Electrical Characteristics (at Ta=25°C unless otherwise noted)

Parameter	Symbol	Conditions	Min	Typ	Max	Unit
Reverse breakdown voltage	$V_{(BR)}$	$I_R = 2.5\mu A$	75			V
Reverse current	$I_R$	$V_R = 75V$			2.5	$\mu A$
		$V_R = 20V$			25	nA
Forward voltage	$V_F$	$I_F = 1mA$			0.715	V
		$I_F = 10mA$			0.855	
		$I_F = 50mA$			1	
		$I_F = 150mA$			1.25	
Total capacitance	$C_{tot}$	$V_R = 0V, f = 1MHz$			2	pF
Reverse recovery time	$t_{rr}$	$I_F = I_R = 10mA, I_{rr} = 0.1 \times I_R, R_L = 100\Omega$			4	ns

## Rating and Characteristic Curves (CDSV6-99SD-HF)

Fig.1 - Forward Characteristics

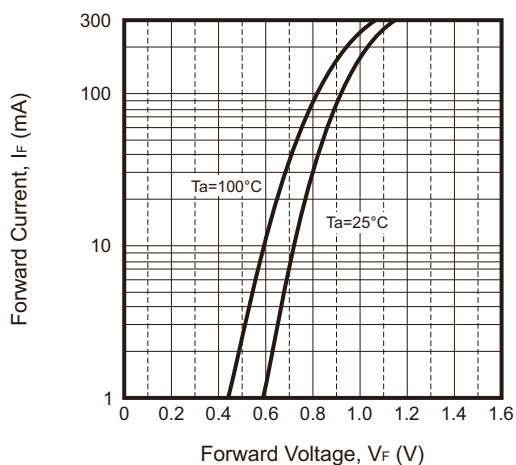


Fig.2 - Reverse Characteristics

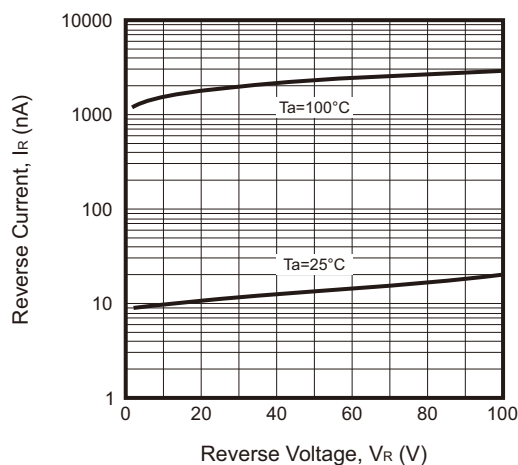


Fig.3 - Capacitance Characteristics

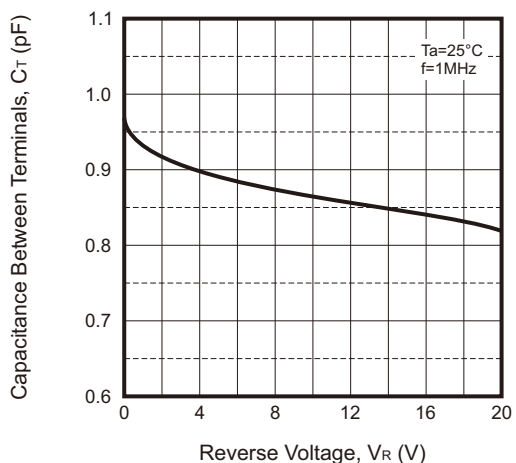
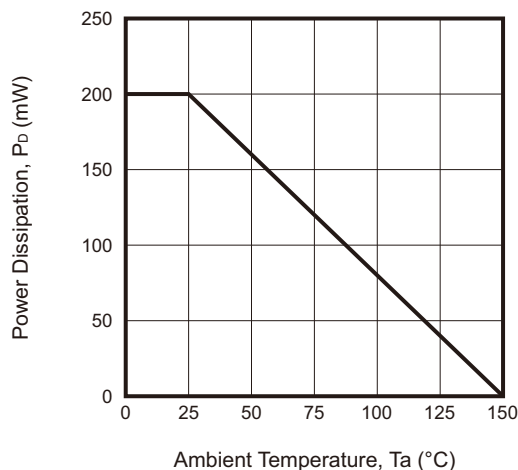
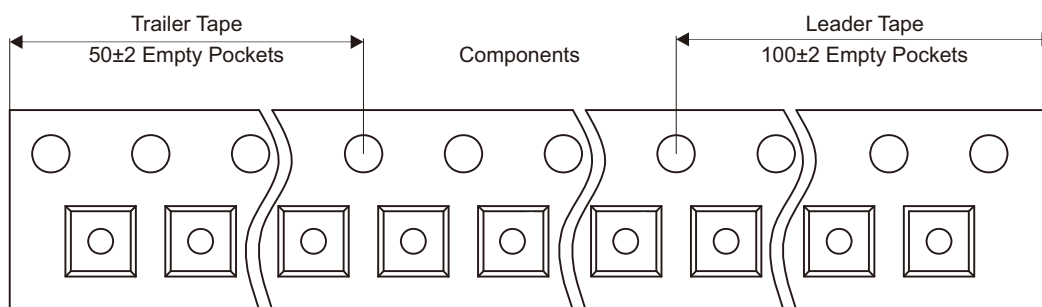
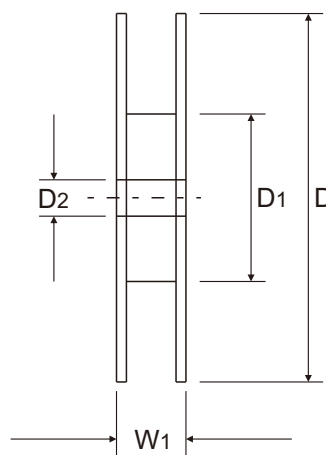
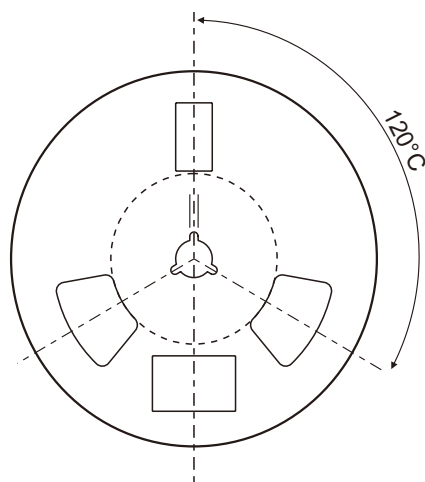
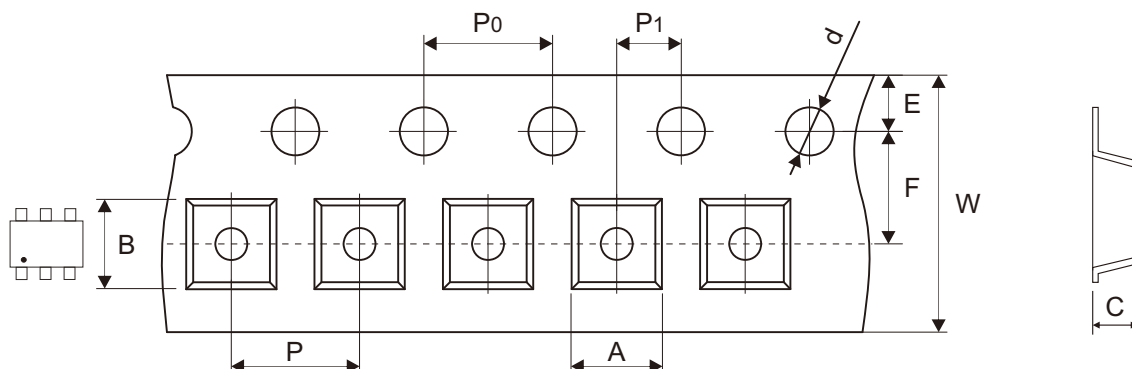


Fig.4 - Power Derating Curve



## Reel Taping Specification

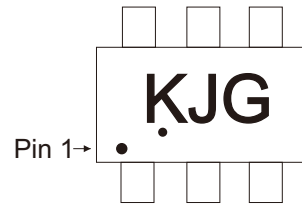


SOT-363	SYMBOL	A	B	C	d	D	D1	D2
	(mm)	2.25 ± 0.10	2.55 ± 0.10	1.20 ± 0.10	1.50 + 0.10 - 0.00	178.00 ± 1.00	54.40 ± 0.40	13.00 ± 0.20
	(inch)	0.089 ± 0.004	0.100 ± 0.004	0.047 ± 0.004	0.059 + 0.004 - 0.000	7.008 ± 0.039	2.142 ± 0.016	0.512 ± 0.008

SOT-363	SYMBOL	E	F	P	P0	P1	W	W1
	(mm)	1.75 ± 0.10	3.50 ± 0.05	4.00 ± 0.10	4.00 ± 0.10	2.00 ± 0.05	8.00 + 0.30 - 0.10	12.30 ± 1.00
	(inch)	0.069 ± 0.004	0.138 ± 0.002	0.157 ± 0.004	0.157 ± 0.004	0.079 ± 0.002	0.315 + 0.012 - 0.004	0.484 ± 0.039

## Marking Code

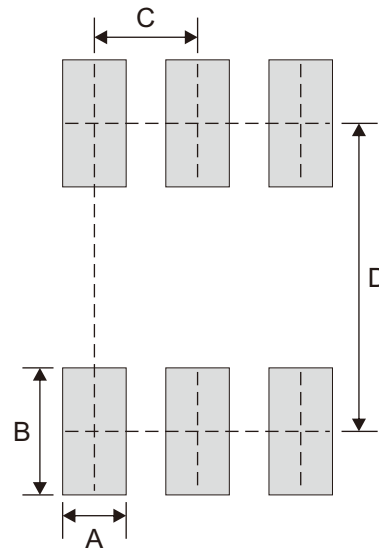
Part Number	Marking Code
CDSV6-99SD-HF	KJG



Solid dot = Control code

## Suggested P.C.B. PAD Layout

SIZE	SOT-363	
	(mm)	(inch)
A	0.40	0.016
B	0.80	0.031
C	0.65	0.026
D	1.94	0.076



## Standard Packaging

Case Type	REEL PACK	
	REEL (pcs)	Reel Size (inch)
SOT-363	3,000	7